
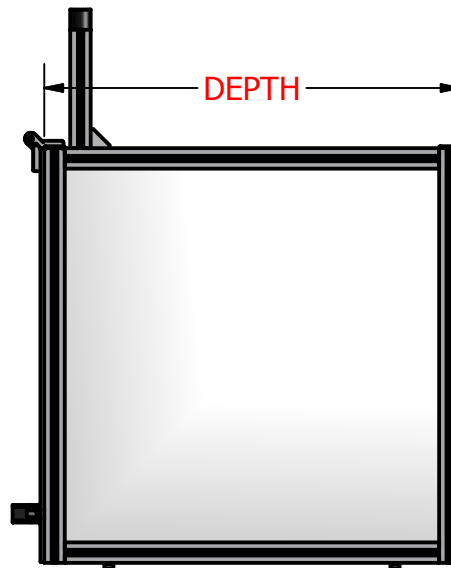
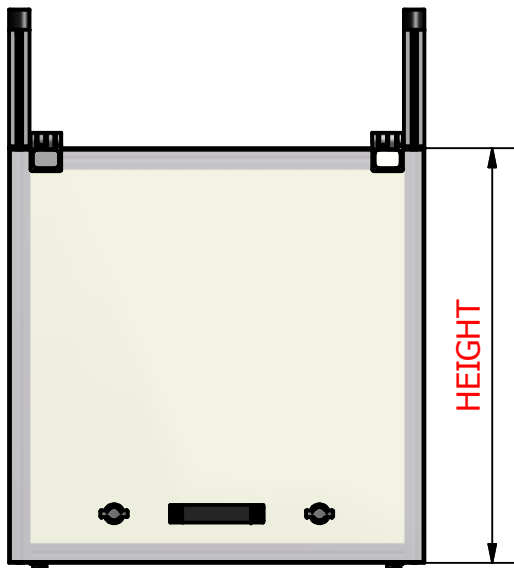
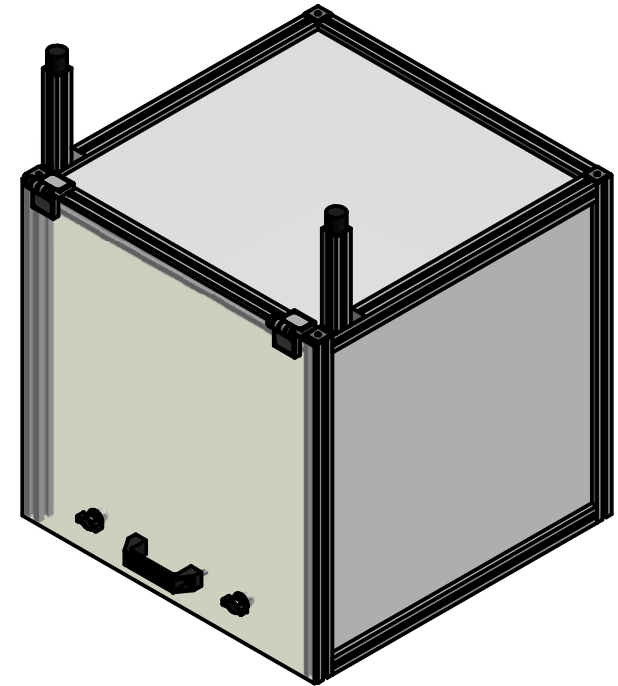
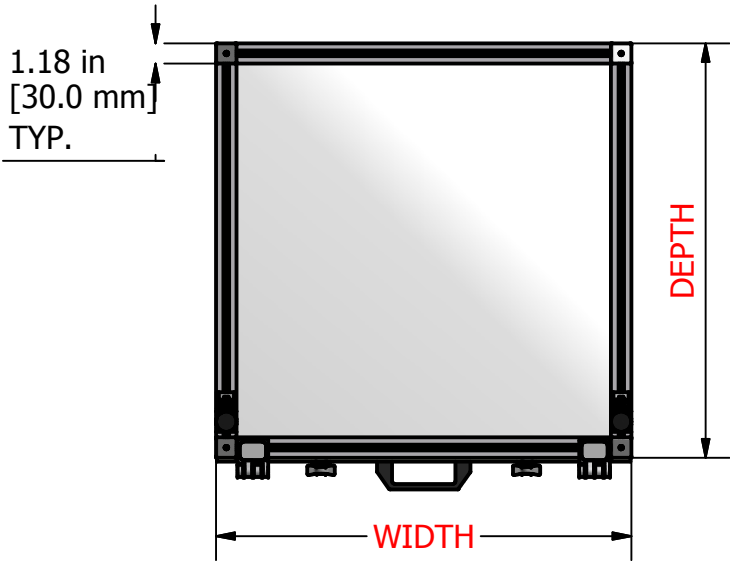

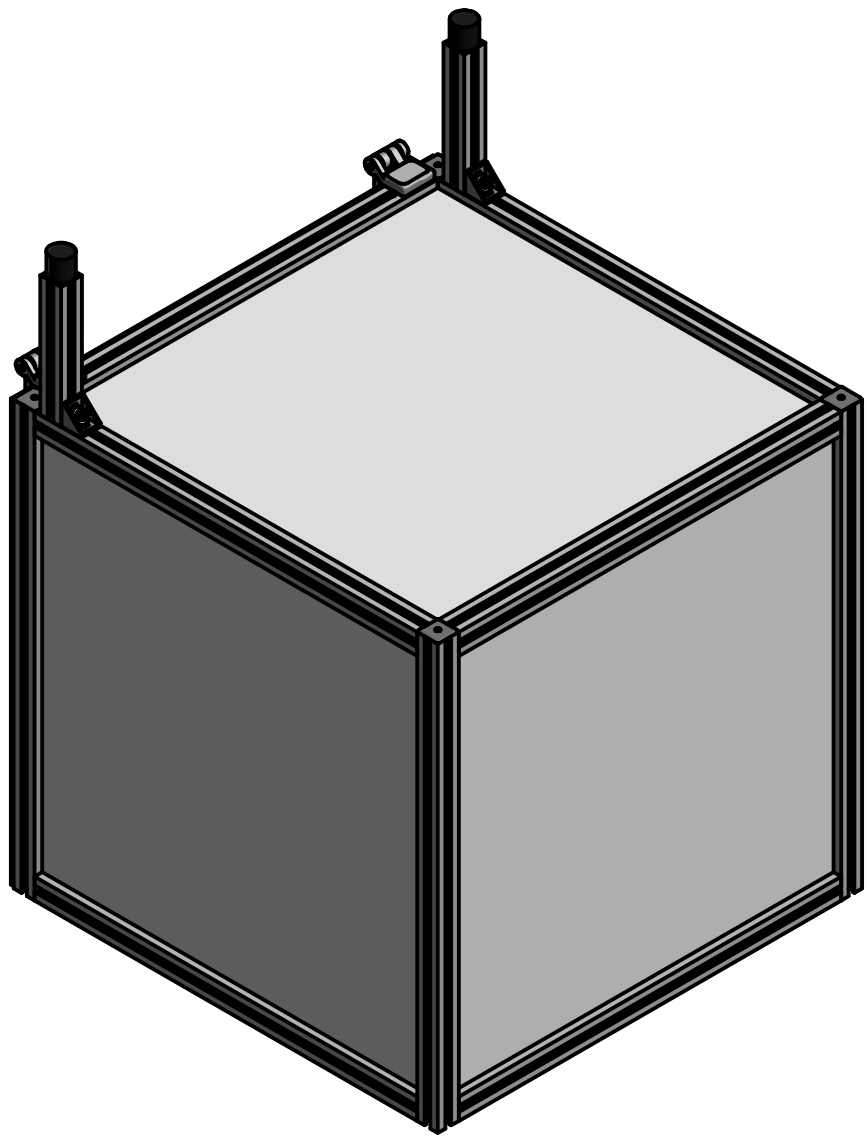


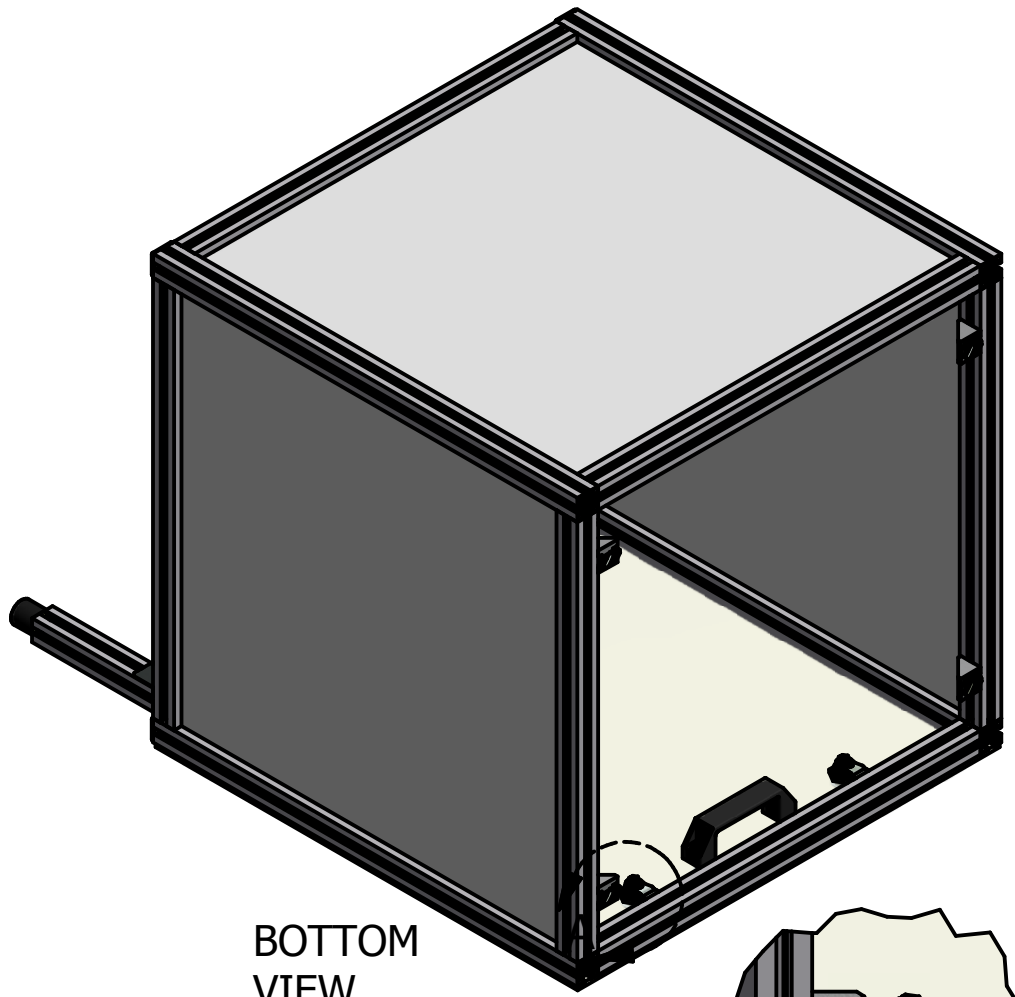
PROJECT SP032613-1		 <small>THE ART OF SIMPLICITY</small>	<small>WWW.MINITECFRAMING.COM</small> <small>VICTOR, NY</small> <small>PH # 585 924-4690</small> <small>DIRECT 585 398-1240 EXT 104</small> <small>FX # 585 924-4821</small> <small>amoles@minitecframing.com</small>		
DRAWN BY ANDY MOLES					
DATE 3/27/2013					
DRAWN FOR MINITEC'S CUSTOMER		TITLE Enclosure With Vertical Swinging Door		DWG NO <b>SP03262013-1</b>	REV
<small>TOLERANCES UNLESS OTHERWISE NOTED X +/- .1/32" XX +/- .015" XXX +/- .010"</small>		MATERIAL		FINISH	
				SHEET 1 OF 4	



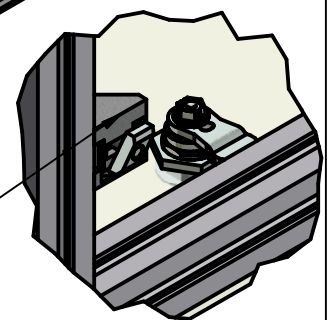
PROJECT SP032613-1			WWW.MINITECFRAMING.COM	
DRAWN BY ANDY MOLES			VICTOR, NY	
DATE 3/27/2013			PH # 585 924-4690	
DRAWN FOR MINITEC'S CUSTOMER		TITLE Enclosure With Vertical Swinging Door		DWG NO <b>SP03262013-1</b>
TOLERANCES UNLESS OTHERWISE NOTED X +/- .1/32" XX +/- .015" XXX +/- .010"		MATERIAL		REV
		FINISH		SHEET 2 OF 4




BACK VIEW

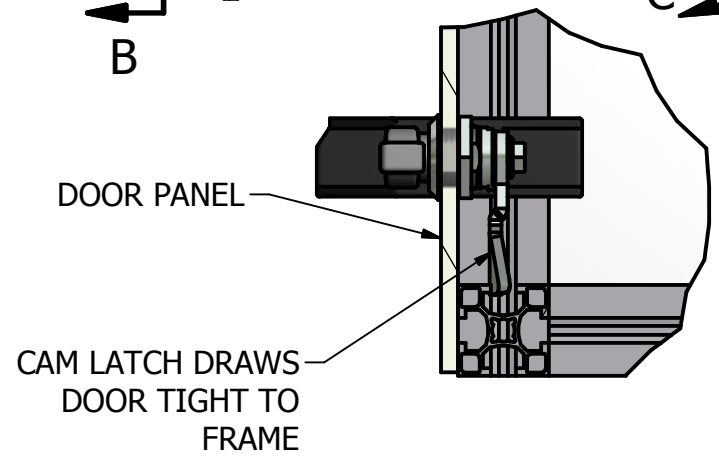
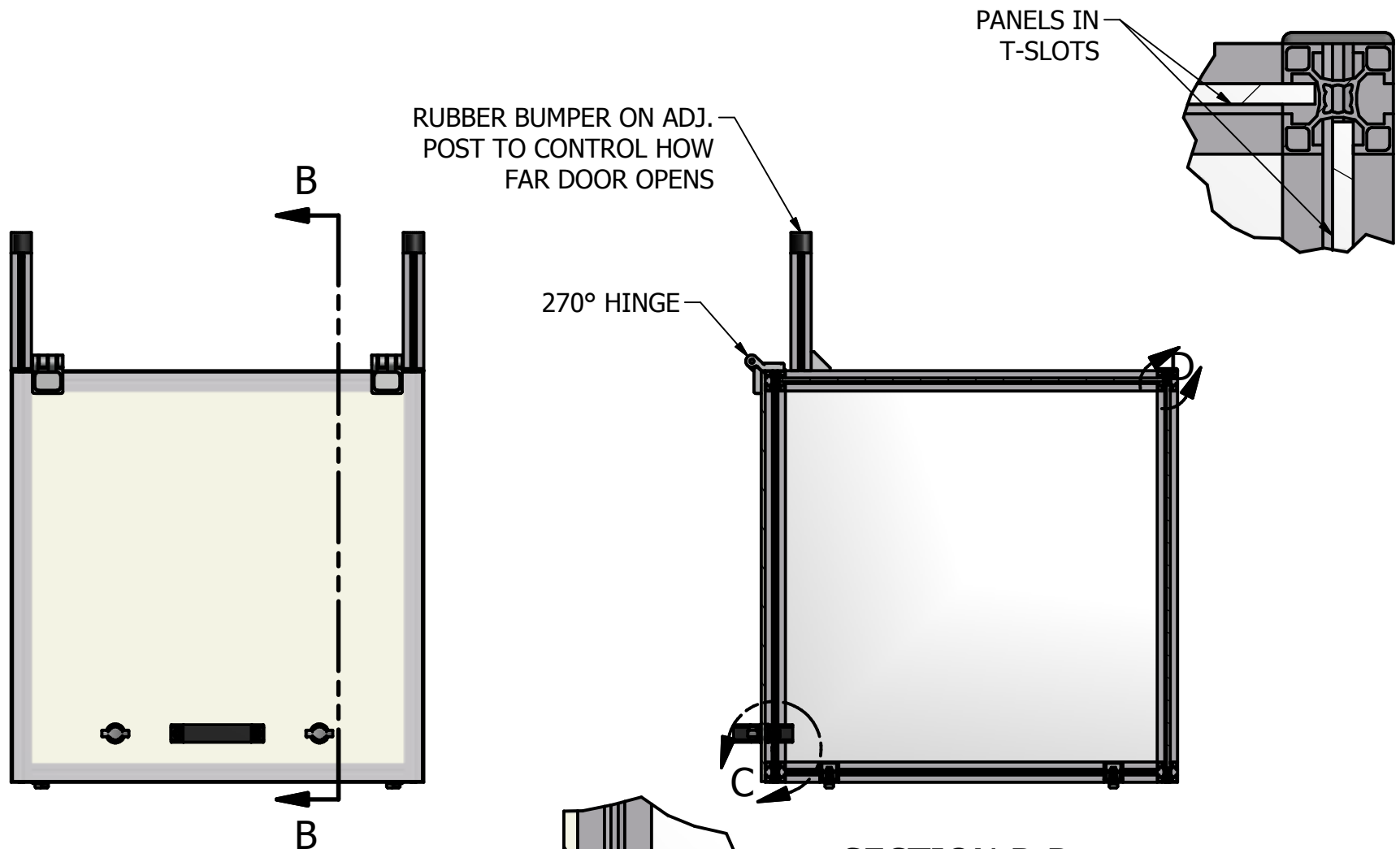


BOTTOM VIEW




MOUNTING ANGLE  
(4 PLCS)

PROJECT SP032613-1		 <small>WWW.MINITECFRAMING.COM          VICTOR, NY          PH # 585 924-4690          DIRECT 585 398-1240 EXT 104          FX # 585 924-4821          amoles@minitecframing.com</small>	REV
DRAWN BY ANDY MOLES			
DATE 3/27/2013			DWG NO <b>SP03262013-1</b>
DRAWN FOR MINITEC'S CUSTOMER	TITLE Enclosure With Vertical Swinging Door		
<small>TOLERANCES          UNLESS OTHERWISE NOTED          X +/- .1/32"          XX +/- .015"          XXX +/- .010"</small>		MATERIAL	
		FINISH	SHEET 3 OF 4



SECTION B-B  
SCALE .11

PROJECT SP032613-1			WWW.MINITECFRAMING.COM	
DRAWN BY ANDY MOLES			VICTOR, NY	
DATE 3/27/2013			PH # 585 924-4690	
DRAWN FOR MINITEC'S CUSTOMER		TITLE Enclosure With Vertical Swinging Door		DWG NO <b>SP03262013-1</b>
TOLERANCES UNLESS OTHERWISE NOTED X +/- .1/32" XX +/- .015" XXX +/- .010"		MATERIAL		REV
FINISH				SHEET 4 OF 4